

CATALOGUE 2020

Video Adapter

System 45 HDMI adapter &
System 45 DisplayPort adapter



Easy 45 HDMI Module straight 22.5 x 45 mm

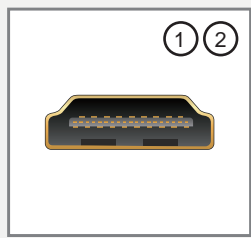
- Supports CEC 2.0 control commands
- Supports HDCP 2.2 (High-Bandwidth Digital Content Protection)
- Supports HDR
- Suitable for module holder Delock Easy 45
- Suitable for 45 mm cable duct with minimum depth 45 mm



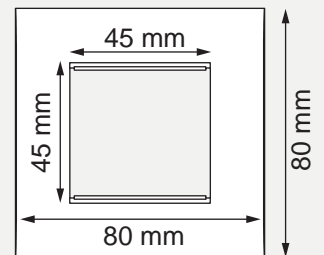
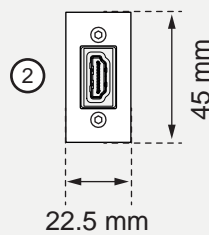
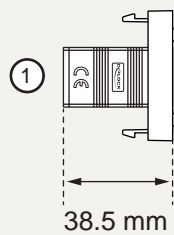
White



MADE IN TAIWAN



HDMI - A female



optional Module holder with Frame (81300)



Dimensions
22.5 x 45.0 x 38.5 mm



Module Size
22.5 x 45.0 mm



Resolution up
3840 x 2160 @ 60 Hz



Material
PC plastic

Easy 45 HDMI Module angled 90° 22.5 x 45 mm

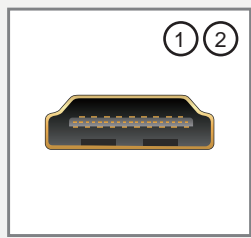
- Supports CEC 2.0 control commands
- Supports HDCP 2.2 (High-Bandwidth Digital Content Protection)
- Supports HDR
- Suitable for module holder Delock Easy 45
- Suitable for 45 mm cable duct with minimum depth 45 mm



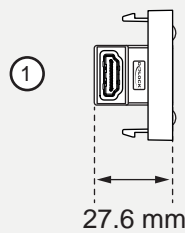
White



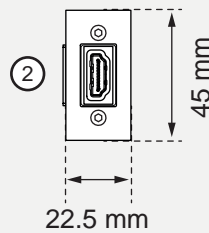
MADE IN TAIWAN



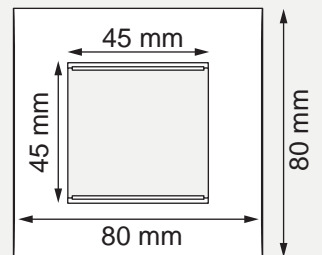
HDMI - A female



27.6 mm



22.5 mm



optional Module holder with Frame (81300)



Dimensions
22.5 x 45.0 x 27.6 mm



Module Size
22.5 x 45.0 mm



Resolution up
3840 x 2160 @ 60 Hz



Material
PC plastic

Easy 45 DisplayPort Module straight 22.5 x 45 mm

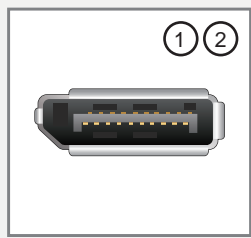
- Supports HDCP 2.2 (High-Bandwidth Digital Content Protection)
- Supports HDR
- Pin 20 is connected (supports 3.3 V)
- Suitable for module holder Delock Easy 45
- Suitable for 45 mm cable duct with minimum depth 45 mm



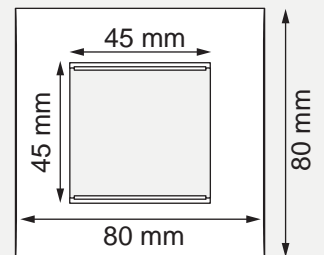
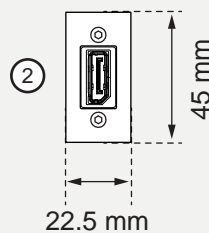
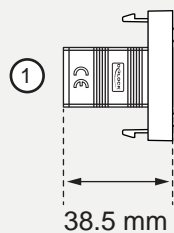
White



MADE IN TAIWAN



Displayport female



optional Module holder with Frame (81300)



Dimensions
22.5 x 45.0 x 38.5 mm



Module Size
22.5 x 45.0 mm



Resolution up
7680 x 4320 @ 30 Hz



Material
PC plastic

Easy 45 DisplayPort Module angled 90° 22.5 x 45 mm

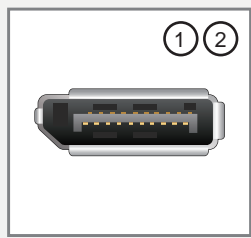
- Supports HDCP 2.2 (High-Bandwidth Digital Content Protection)
- Supports HDR
- Pin 20 is connected (supports 3.3 V)
- Suitable for module holder Delock Easy 45
- Suitable for 45 mm cable duct with minimum depth 45 mm



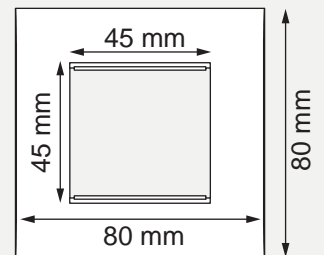
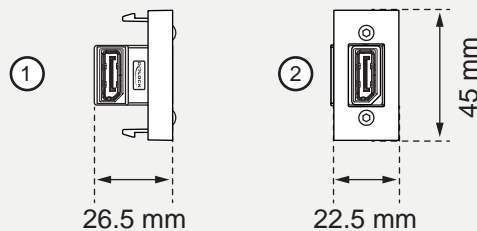
White



MADE IN TAIWAN



Displayport female



optional Module holder with Frame (81300)



Dimensions
22.5 x 45.0 x 26.5 mm



Module Size
22.5 x 45.0 mm



Resolution up
7680 x 4320 @ 30 Hz

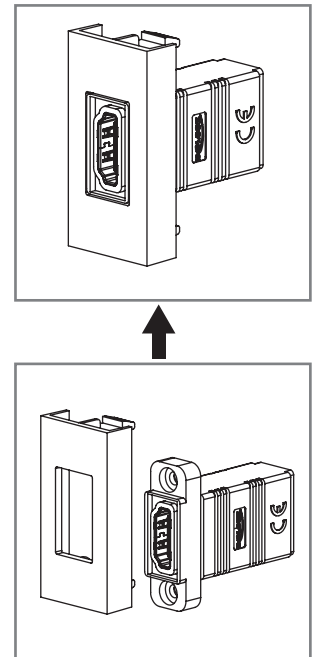


Material
PC plastic

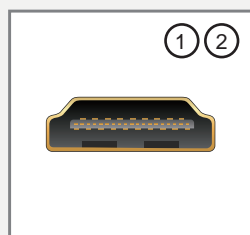
Easy 45 HDMI Adapter straight

- Supports CEC 2.0 control commands
- Supports HDCP 2.2 (High-Bandwidth Digital Content Protection)
- Supports HDR
- Suitable for Delock Easy 45 module plate rectangular cut-out 12.5 x 21.5 mm

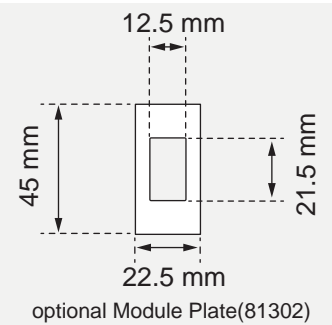
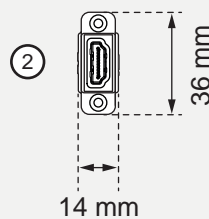
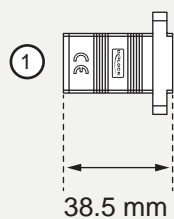
Black



MADE IN TAIWAN



HDMI - A female



Dimensions
38.5 x 36.0 x 14.0 mm



Pitch of screw hole
ca. 28 mm



Resolution up
3840 x 2160 @ 60 Hz

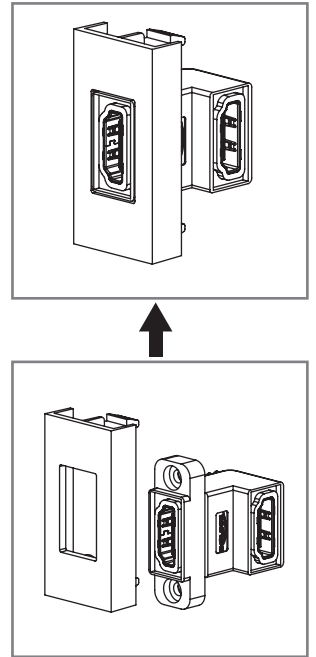


Material
PC plastic

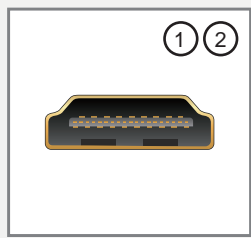
Easy 45 HDMI Adapter angled 90°

- Supports CEC 2.0 control commands
- Supports HDCP 2.2 (High-Bandwidth Digital Content Protection)
- Supports HDR
- Suitable for Delock Easy 45 module plate rectangular cut-out 12.5 x 21.5 mm

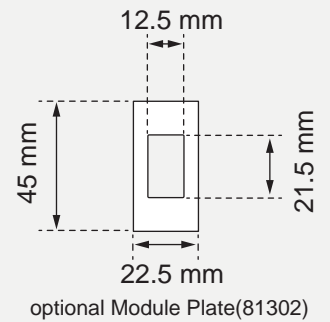
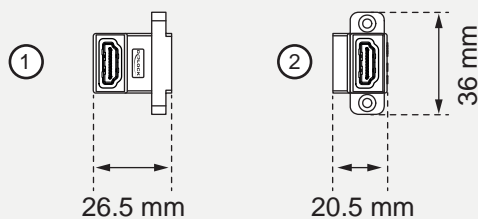
Black



MADE IN TAIWAN



HDMI - A female



Dimensions
36.0 x 26.5 x 20.5 mm



Pitch of screw hole
ca. 28 mm



Resolution up
3840 x 2160 @ 60 Hz

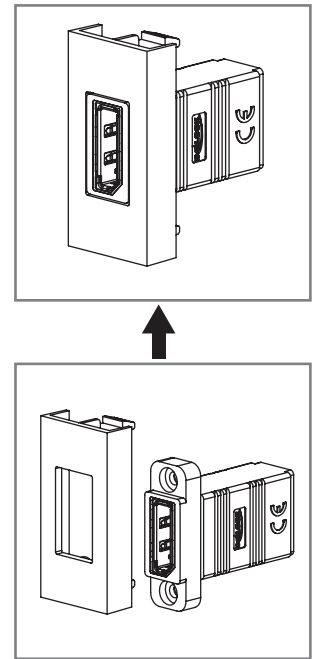


Material
PC plastic

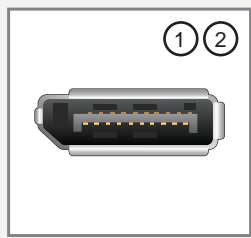
Easy 45 DisplayPort Adapter straight

- Supports HDCP 2.2 (High-Bandwidth Digital Content Protection)
- Supports HDR
- Pin 20 is connected (supports 3.3 V)
- Suitable for Easy 45 module plate rectangular cut-out 12.5 x 21.5 mm

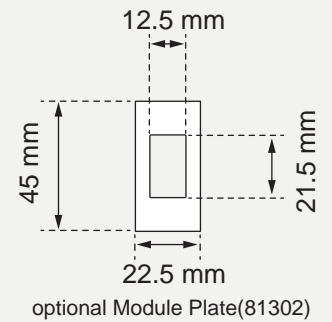
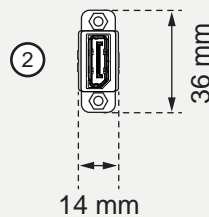
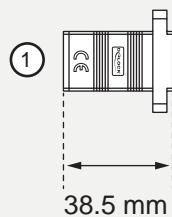
Black



MADE IN TAIWAN



Displayport female



optional Module Plate(81302)



Dimensions
38.5 x 36.0 x 14.0 mm



Pitch of screw hole
ca. 28 mm



Resolution up
7680 x 4320 @ 30 Hz

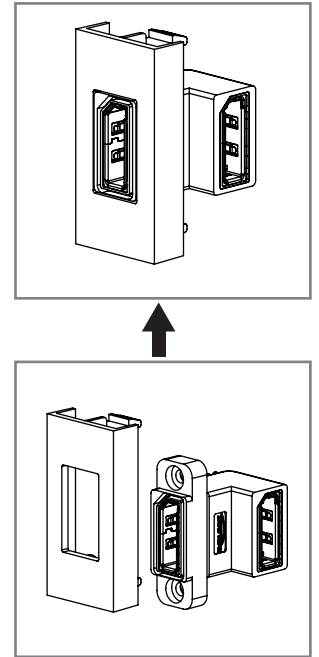


Material
PC plastic

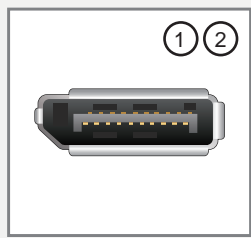
Easy 45 DisplayPort Adapter angled 90°

- Supports HDCP 2.2 (High-Bandwidth Digital Content Protection)
- Supports HDR
- Pin 20 is connected (supports 3.3 V)
- Suitable for Easy 45 module plate rectangular cut-out 12.5 x 21.5 mm

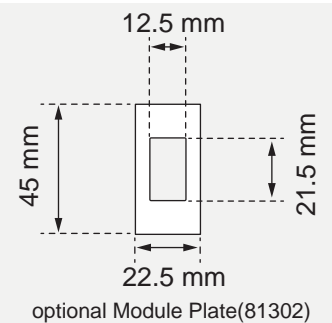
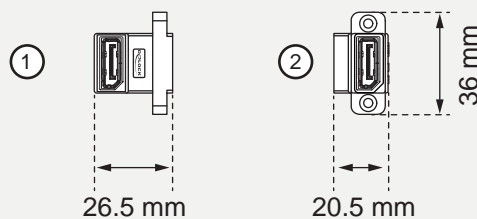
Black



MADE IN TAIWAN



Displayport female



Dimensions
36.0 x 26.5 x 20.5 mm



Pitch of screw hole
ca. 28 mm



Resolution up
7680 x 4320 @ 30 Hz



Material
PC plastic